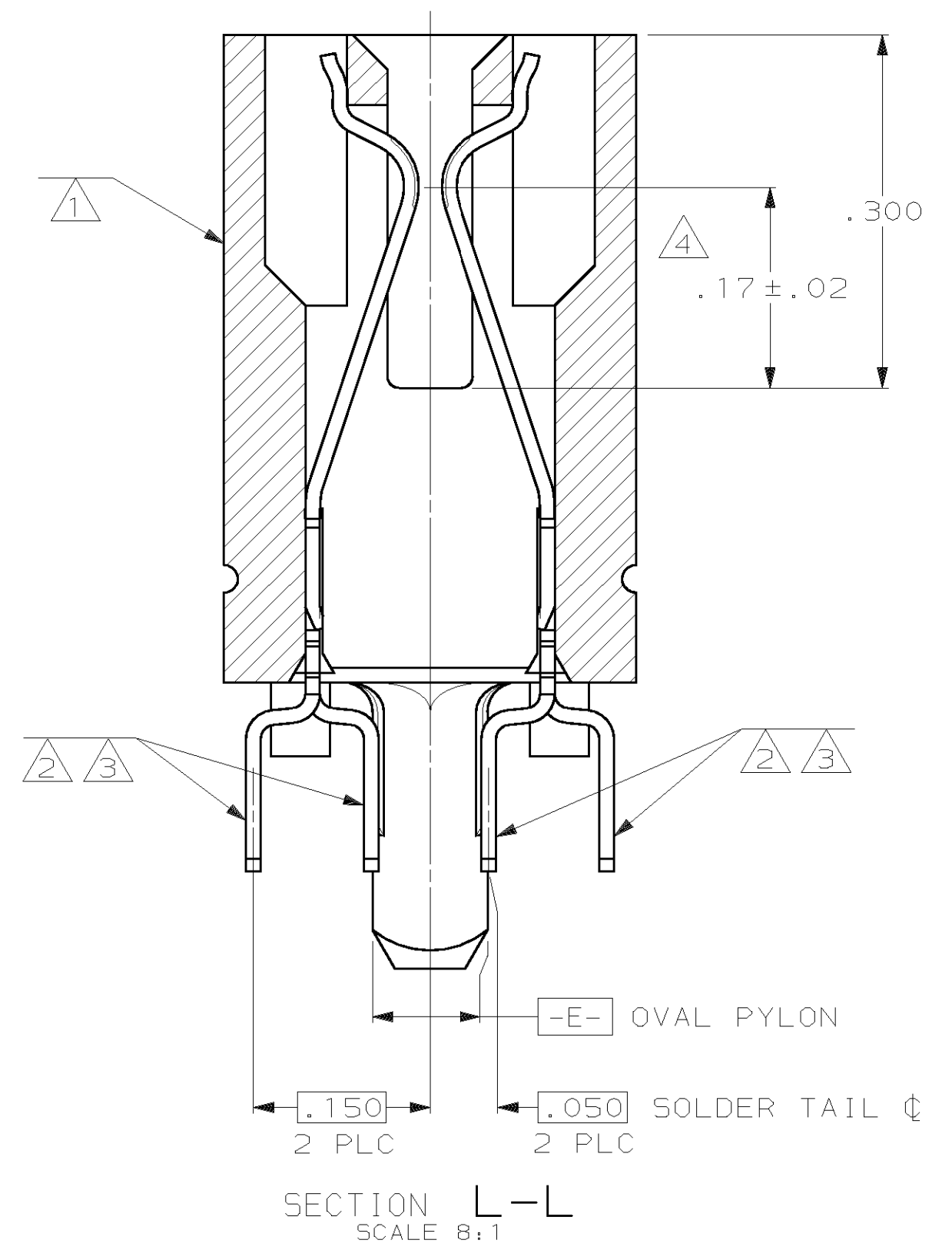
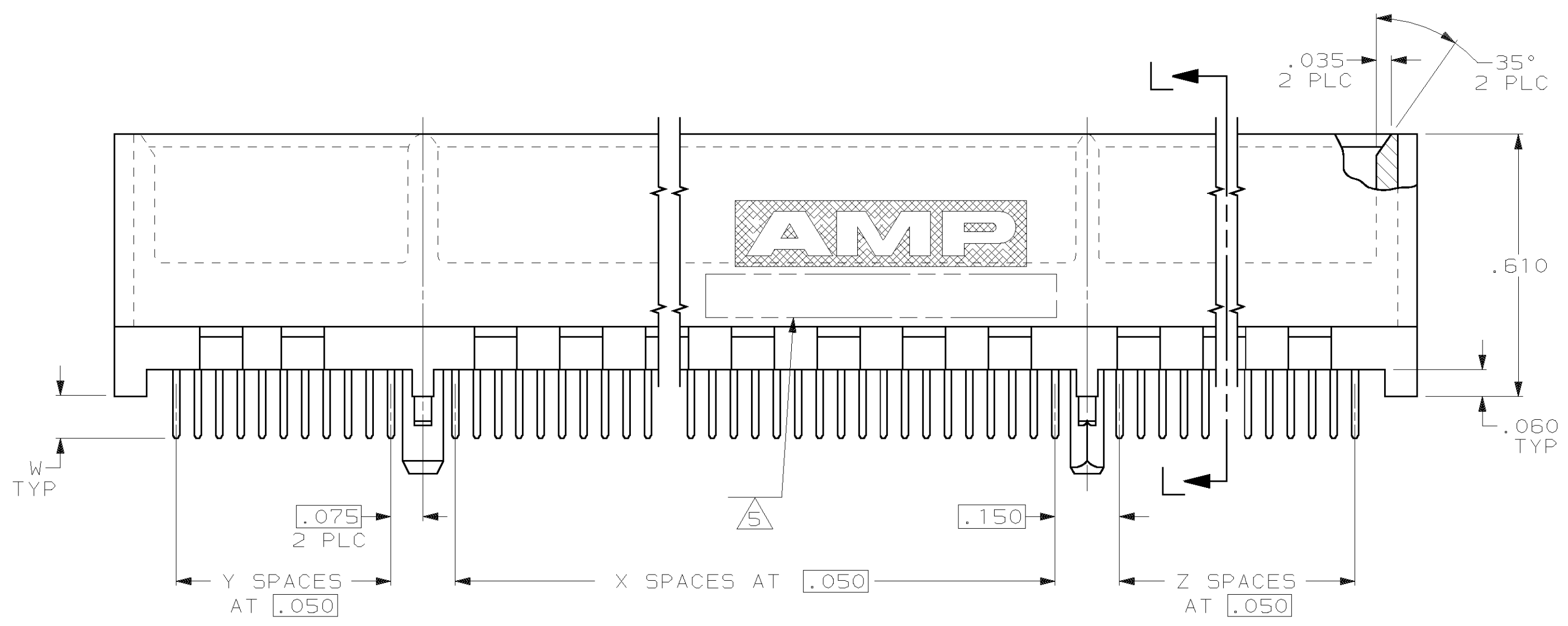
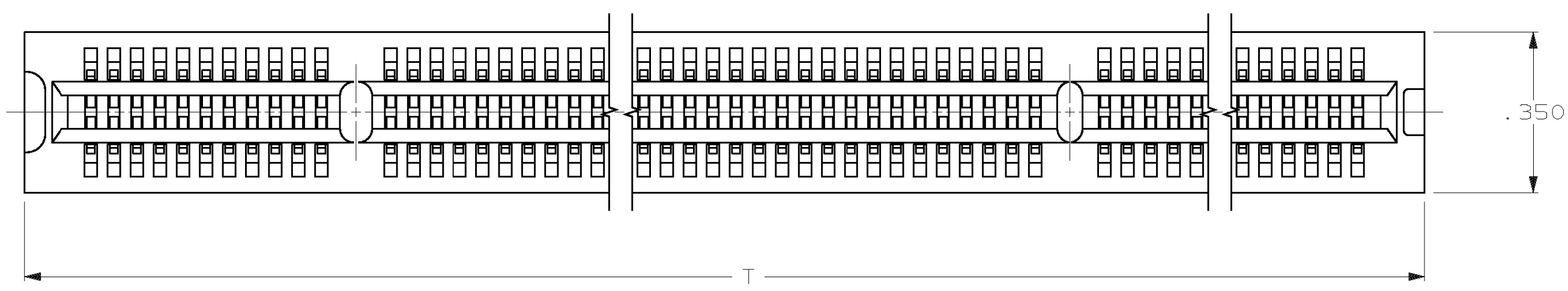
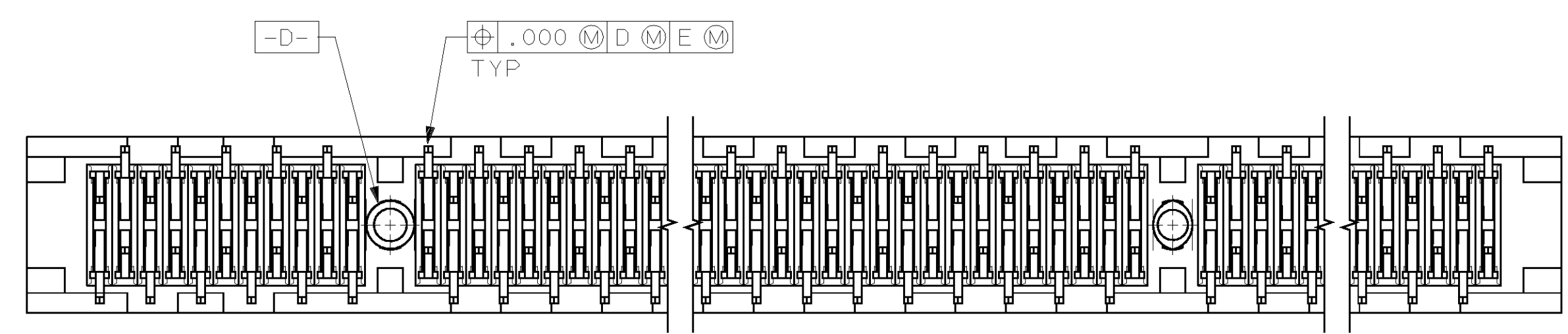


LOC		DIST		P		ZONE		LTR		REVISIONS		
AD	14									DESCRIPTION	DATE	APPD
										REVISED PER EC 0651-0008-98	15DEC98	JG



- ① HOUSING: HIGH TEMPERATURE THERMOPLASTIC. COLOR: BROWN.
- ② CONTACT: PHOSPHOR BRONZE.
- ③ CONTACT FINISH: .000100 MIN NICKEL ALL OVER. .000030 MIN GOLD OVER NICKEL IN CONTACT AREA. .000100 MIN TIN-LEAD OVER NICKEL ON SOLDER TAILS.
- ④ DISTANCE FROM CONTACT POINT TO BOTTOM OF CARD SLOT.
- ⑤ AMP PART NUMBER, DATE CODE AND CSA LOGO MARKED IN APPROXIMATE AREA SHOWN.

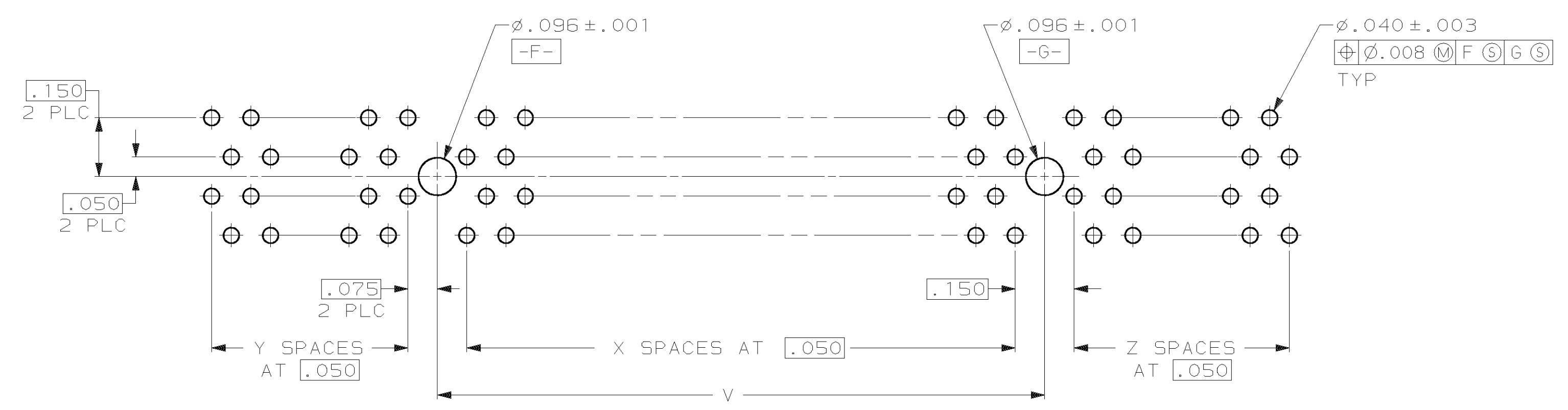


SEE SHEET 2 FOR HOLE PATTERNS

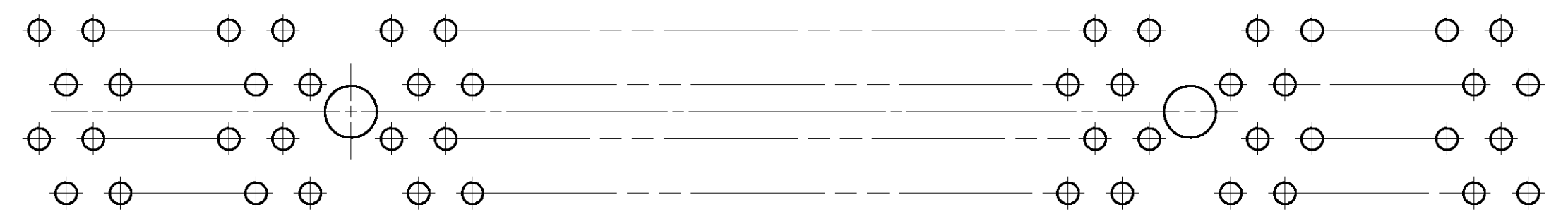
	A	2.350	3.110	3.94	.610	13	10	44	.14	70	1-650231-0
OBSOLETE	D	2.100	3.560	5.94	2.160	27	41	39	.10	110	650231-9
OBSOLETE	A	2.350	5.610	6.44	.610	63	10	44	.125	120	650231-8
	C	2.350	4.060	6.44	2.160	32	41	44	.14	120	650231-7
	C	2.350	4.060	6.44	2.160	32	41	44	.10	120	650231-6
	A	2.350	3.110	3.94	.610	13	10	44	.10	70	650231-5
OBSOLETE	B	2.350	4.060	6.44	2.160	32	41	44	.10	120	650231-4
OBSOLETE	A	2.350	4.910	5.74	.610	49	10	44	.10	106	650231-3
	A	2.350	5.610	6.44	.610	63	10	44	.10	120	650231-2
	A	2.350	5.610	6.44	.610	63	10	44	.14	120	650231-1
	HOLE PATTERN	V	U	T	S	Z	Y	X	W	NO OF DUAL POSN	PART NUMBER

DO NOT SCALE PRINT. UNLESS SPECIFIED DIMENSIONS IN mm [INCHES] TOLERANCES ON: 2 PLC DEC ± .01 3 PLC DEC ± .005 ANGLES ± 2°	DR 3/22/91 K.L.CLOUSER/UTA CHK 7-22-91 M. BOWERS APPD 7-22-91 M. BOWERS	AMP Incorporated Harrisburg, PA 17105-3508
MATERIAL HOUSING: ① CONTACT: ②	APPD 7-23-91 M. THUMMA PRODUCT SPEC 108-14034	
FINISH CONTACT: ③	APPLICATION SPEC 114-26012	NAME CONNECTOR ASSEMBLY, DUAL POSITION, .050 SERIES, STANDARD EDGE SIZE D CAGE CODE 00779 DRAWING NO 650231 WEIGHT SCALE 4:1 SHEET 1 OF 2

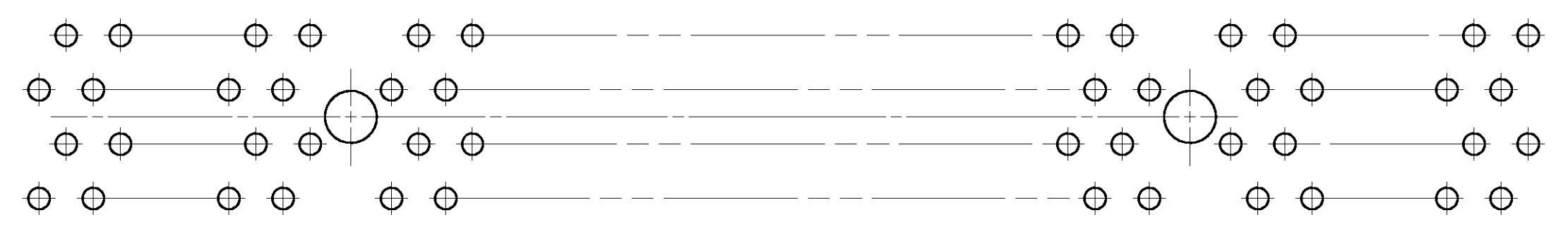
LOC		DIST		P		ZONE		LTR		REVISIONS		
AD	14									DESCRIPTION	DATE	APPD
										SEE SHEET 1	-	-



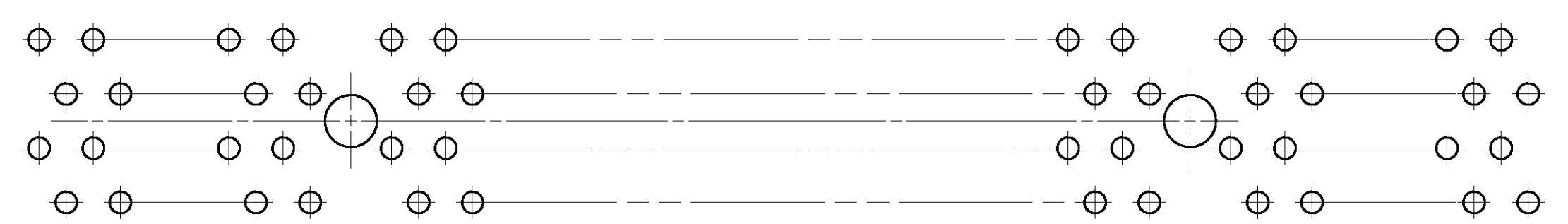
RECOMMENDED CONNECTOR MOUNTING HOLE PATTERN A
 (CONNECTOR SIDE SHOWN)



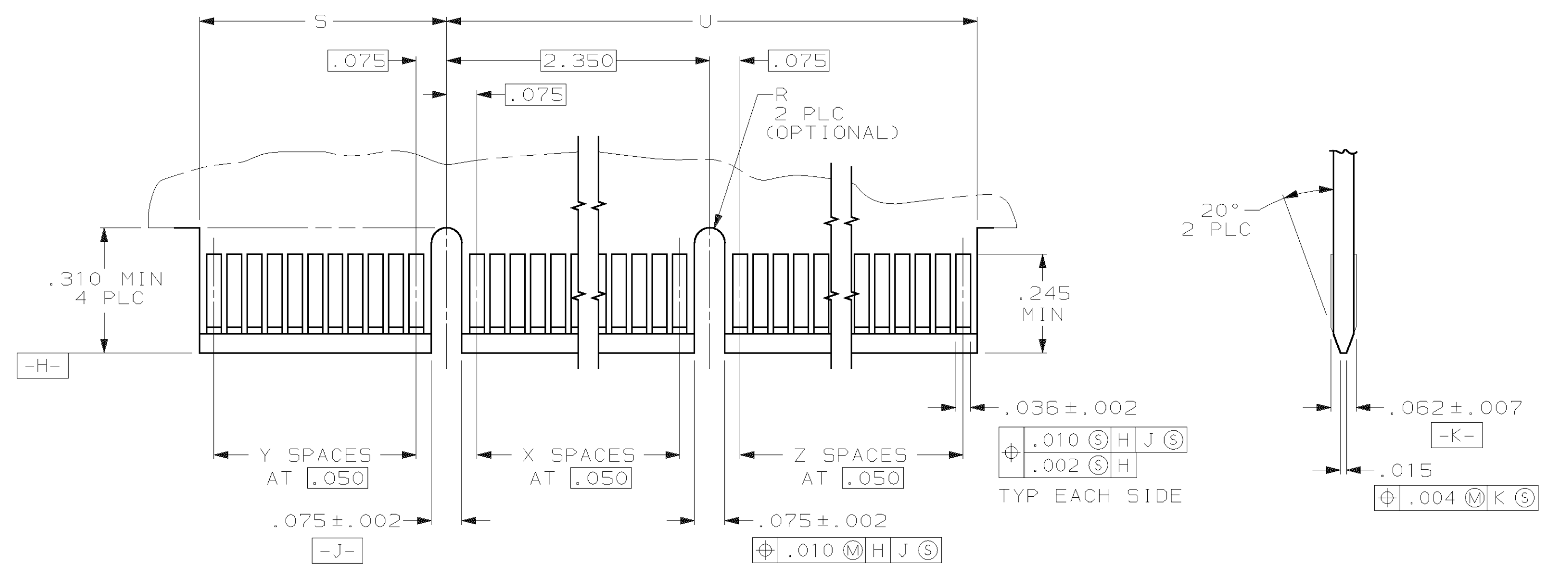
RECOMMENDED CONNECTOR MOUNTING HOLE PATTERN B
 (CONNECTOR SIDE SHOWN)



RECOMMENDED CONNECTOR MOUNTING HOLE PATTERN C
 (CONNECTOR SIDE SHOWN)



RECOMMENDED CONNECTOR MOUNTING HOLE PATTERN D
 (CONNECTOR SIDE SHOWN)



RECOMMENDED MATING BOARD EDGE CONFIGURATION

DO NOT SCALE PRINT. UNLESS SPECIFIED DIMENSIONS IN mm [INCHES] TOLERANCES ON: 2 PLC DEC ± .01 3 PLC DEC ± .005 ANGLES ± 2°		DR 3/22/91 K.L.CLOUSER/UTA CHK 7-22-91 M. BOWERS APPD 7-22-91 M. BOWERS APPD 7-23-91 M. THUMMA		AMP Incorporated Harrisburg, PA 17105-3508	
MATERIAL HOUSING: CONTACT:		PRODUCT SPEC 108-14034		NAME CONNECTOR ASSEMBLY, DUAL POSITION, .050 SERIES, STANDARD EDGE	
FINISH CONTACT:		APPLICATION SPEC 114-26012		SIZE 	CAGE CODE 00779
WEIGHT		DRAWING NO 650231		SHEET 2 OF 2	